

PARTS CHECKLIST

Kit #46-46128 Contains:

- | | | |
|----|---------------------------------------|--------|
| a. | Stand
(PN 36-00454) | Qty. 1 |
| b. | Screw, MS3 x 6 mm
(PN 18-18670) | Qty. 2 |
| c. | Washer, #5 x .5 OD
(PN 18-18671) | Qty. 2 |
| d. | Stand Anchor
(PN 50-50449) | Qty. 1 |
| e. | M3 x 20 mm Set Screw
(PN 18-18672) | Qty. 1 |
| f. | Apron
(PN 50-50440) | Qty. 1 |

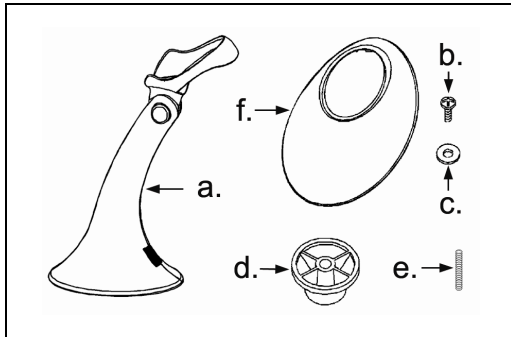


Figure 9.

Special Purchase Kit #46-46351 Contains:

- | | | |
|----|--|--------|
| a. | Wood Screw, #8 Round Head
(PN 18-18057) | Qty. 4 |
| b. | Base
(PN 36-36080) | Qty. 1 |

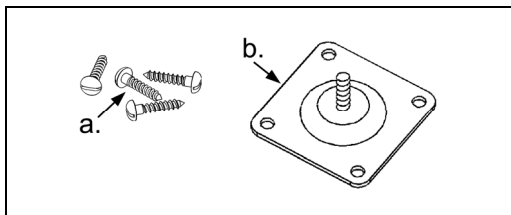
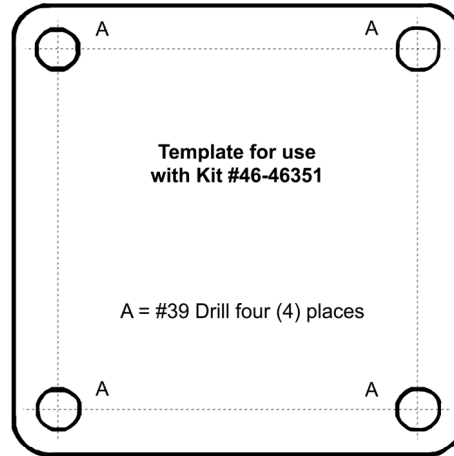


Figure 10.

DRILL TEMPLATE



MS9500

Voyager® Series

Stand Installation Guide

Honeywell Scanning & Mobility
 9680 Old Bailes Road
 Fort Mill, SC 29707
www.honeywellaidc.com



00-02497 Rev B
 December 2009

FREE – STANDING INSTALLATION

For Kit #46-46128:

Step 1

Slide the apron (PN 50-50440) over the stand (PN 36-00454).

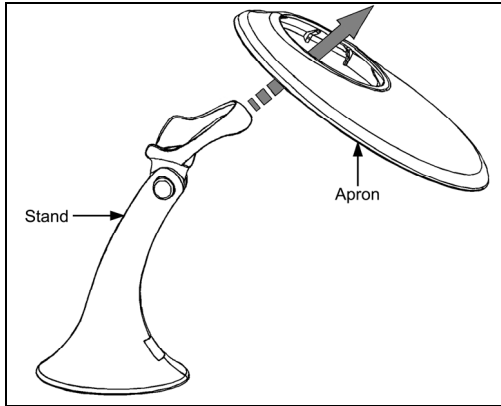


Figure 1.

Step 2

Position the stand so it sits under the tab on the apron. Then secure the apron to the stand using the M3 screws (PN 18-18670) and the #5 washers (PN 18-18671) provided.

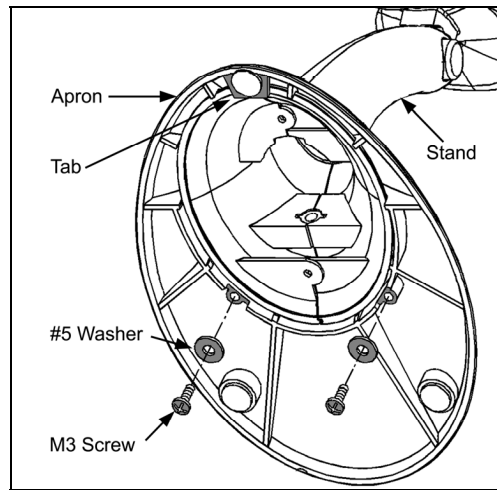
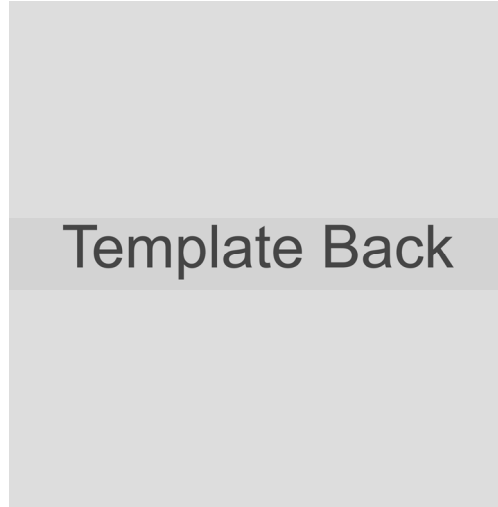


Figure 2.

HARD MOUNT INSTALLATION



For Kit #46-46351:

Step 1

Use the template provided to drill four #39 pilot holes in the countertop.

Step 2

Secure the base (PN 36-36080) to the countertop with the four #8 wood screws (PN 18-18057).

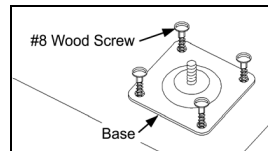


Figure 3.

For Kit #46-46128, #46-46351, and MS951 Stand Replacements:

Step 3

Screw the stand anchor (PN 50-50449) onto the base assembly until it sits flush.

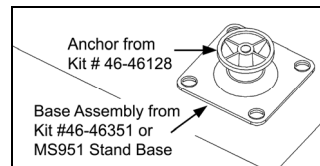


Figure 4.

HARD MOUNT INSTALLATION

Step 4

Remove the logo plate on the stand by gently using an exacto knife to release the plate hook.

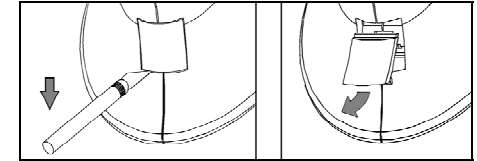


Figure 5.

Step 5

Position the stand over the anchor/base assembly.

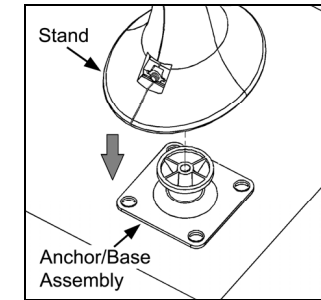


Figure 6.

Step 6

Secure the stand to the base assembly by installing and tightening the M3 hex head screw (PN 18-18672) under the logo plate as shown.

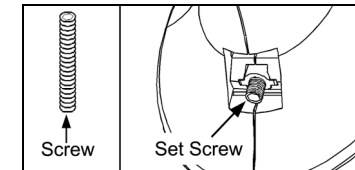


Figure 7.

Step 7

Snap the logo plate back into place.

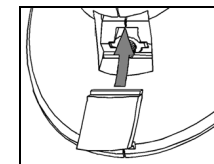


Figure 8.