



Orbit

Features

- Fully automatic scanning operation
- User-replaceable cables
- Easy programming (MetroSet)*
- 7 beeper tones
- Programmable depth of field
- Data editing (Bits 'n' Pieces)*
- Counter or wall mounted options
- Power-save mode
- OPOS driver (MetrOPOS)*

*Refer to separate data sheet.

Orbit[®] is an aggressive, omnidirectional presentation laser bar code scanner. Lightweight and rugged, Orbit is small in size but BIG in performance.

Designed for applications where counter space is at a premium, Orbit is the ideal presentation scanner for retail, convenience, liquor and specialty stores. In addition, Orbit's unique, contoured shape allows it to be picked up and used as a hand-held when scanning large or bulky items.

Engineered with a large, easy-to-find sweet spot, Orbit increases the first pass read rate for maximum productivity. The scanning head can be tilted vertical-

ly, a full 30 degrees for added flexibility when scanning various sized objects. These features increase the scanning throughput, without increasing Orbit's size.

Orbit is equipped with interchangeable interfaces and three options are available. The first option is RS232, Keyboard Wedge, Stand Alone Keyboard, and Light Pen. The second option is OCIA and RS232. The third option includes IBM46XX and RS232. Simply connect the proper communication cable, move an internal jumper and reprogram the scanner. It's that simple.



Orbit

OPERATIONAL

Light Source	Visible Laser Diode 650 nm ± 5 nm
Depth of Scan Field (programmable)	0 mm - 215 mm (0" - 8.5") at default setting
Scan Speed	1200 scan lines per second
Scan Pattern	5 fields of 4 parallel lines (omnidirectional)
Number of Scan Lines	20
Minimum Bar Width	0.13 mm (5.2 mil)
Decode Capability	Autodiscriminates all standard bar codes; for other symbologies call Metrologic
System Interfaces	PC Keyboard Wedge, RS232, OCIA, Light Pen, IBM 46XX, Stand Alone Keyboard
Print Contrast	35% minimum reflectance difference
Number Characters Read	up to 80 data characters
Roll, Pitch, Yaw	360°, 60°, 60°
Beeper Operation	7 tones or no beep
Indicators (LED)	Green = laser on, ready to scan Red = good read

MECHANICAL

Height	150 mm (5.9")
Depth	105 mm (4.1")
Width - Orb	80 mm (3.1")
Width - Base	102 mm (4.0")
Weight	380 grams (13.4 oz)
Termination	10 pin modular RJ45
Cable	Standard 2.1 m (7') straight; optional 2.7 m (9') coiled; for other cables call Metrologic
Tilt - Orb	30° vertical

ELECTRICAL

Input Voltage	5 VDC ± 0.25V
Power	1.1 W
Operating Current	220 mA
DC Transformers	Class 2; 5.2 V @ 650 mA
Laser Class	CDRH: Class IIa; EN 60 825: Class 1
EMC	FCC Class A, EN 55022 Class A
Operating Temperature	0°C to 40°C (32°F to 104°F)
Storage Temperature	-40°C to 60°C (-40°F to 140°F)
Humidity	5% to 95% relative humidity, non-condensing
Light Levels	Up to 4842 Lux (450 footcandles)
Shock	Designed to withstand 1 m (3.1') drops
Contaminants	Sealed to resist airborne particulate contaminants
Ventilation	None required

* Specifications subject to change without notice.
Printed in Germany, November 2000
E&OE



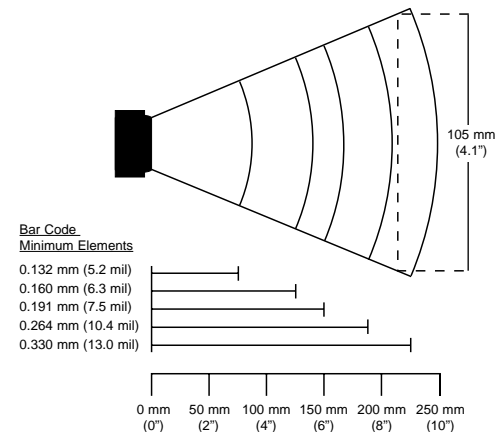
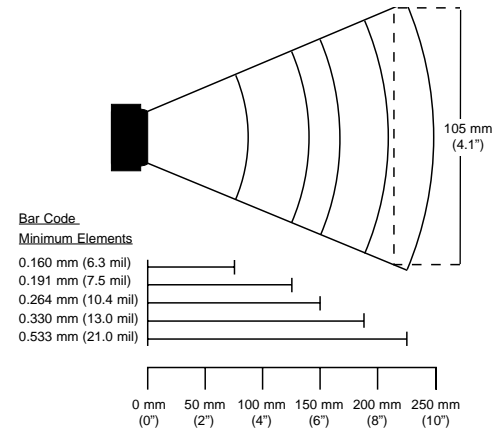
USA
Metrologic Instruments, Inc.
Tel. 1-800-ID-METRO
Fax 1-609-228-6673
info@metrologic.com

South America
Metrologic Instruments
Tel. 55-11-5505-6568
Fax 55-11-5505-1681
info@sa.metrologic.com

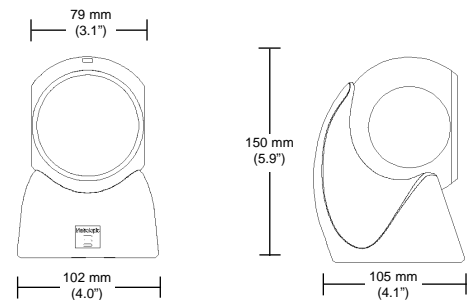
Brazil
Metrologic do Brasil Ltda
Tel. 55-11-5505-2396
Fax 55-11-5507-2301
info@br.metrologic.com

Asia
Metrologic Asia (Pte) Ltd
Tel. 65-842-7155
Fax 65-842-7166
info@sg.metrologic.com

Scan Volume (at default setting)



Dimensions



Metrologic Instruments GmbH | Dornierstrasse 2 | 82178 Puchheim, Germany
Tel: +49 (0) 89 89 019 0 | Fax: +49 (0) 89 89 019 200 | Email: info@europe.metrologic.com



www.europe.metrologic.com

REGIONAL OFFICES

Germany
Metrologic Instruments GmbH
Dornierstrasse 2, 82178 Puchheim
Tel: +49 (0) 89 89 019 0
Fax: +49 (0) 89 89 019 200
Email: info@de.metrologic.com
www.metrologic-instruments.de

Italy
Metrologic Instruments Italia s.r.l.
Via Emilia 48, 40064 Ozzano dell'Emilia (BO)
Tel: +39 (0) 5 16 51 19 78
Fax: +39 (0) 5 16 52 13 37
Email: info@it.metrologic.com
www.metrologic.it

Spain
Metrologic Eria Ibérica
Julian Camarillo 29, Edificio Diapasón, 28037 Madrid
Tel: +34 (91) 3 27 24 00
Fax: +34 (91) 3 27 38 29
Email: info@es.metrologic.com
www.metrologic.es

France
Metrologic Eria France SA
69 Rue de la Belle Etoile, ZI Paris Nord II, BP 50057
95947 - ROISSY CDG CEDEX France
Tel: +33 (0) 1 48 63 78 78
Fax: +33 (0) 1 48 63 24 94
Email: info@fr.metrologic.com
www.metrologic-eria.fr

United Kingdom
Metrologic Instruments UK Ltd
58 Tempus Business Centre, Basingstoke Hampshire RG21 6XG
Tel: +44 (0) 1256 365900
Fax: +44 (0) 1256 365955
Email: info@uk.metrologic.com
www.metrologic.co.uk